

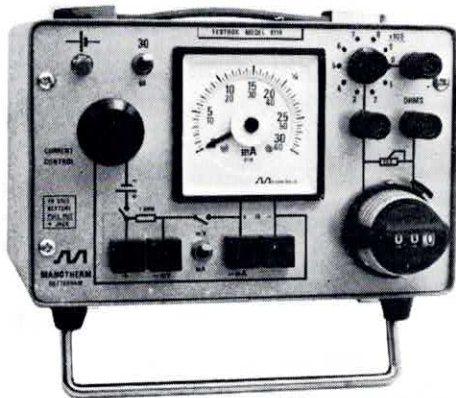
manotherm bv

workshop and offices: welpaathoek 20, 3197 KP botlek rt
p.o. box 1218, 3000 BE rotterdam

phone: 010 - 16 90 11 *

telex: 28604 termo nl

TEST BOXES SERIES 8100



INTRODUCTION

Series 8100 testboxes are especially designed for testing and calibrating all electronic control equipment e.g. indicators, recorders, data-loggers, I/P transducers etc.

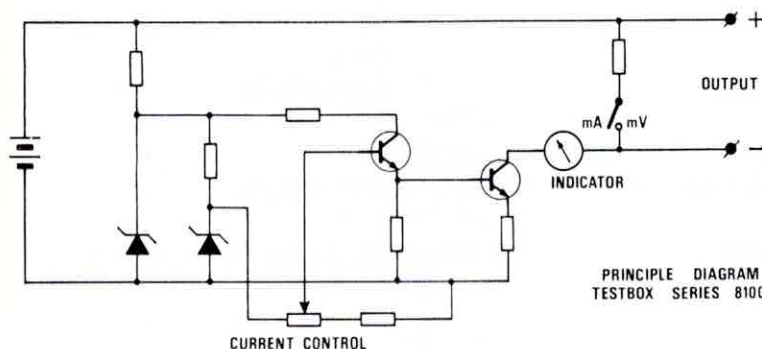
The most important features are:

- Due to its light weight and small dimensions suitable in the workshop as well as for the service engineer.
- Choice-out of different outputs, milli-amps (mA), milli-volts (mV), volts (V) and resistance (ohms).
- Digital read-out of resistance value.
- A.C. operated.
- Grey painted steel case with handle and folding brace.
- Standard accessories, one testcord red, one testcord black, two crocodile clips, one instruction manual.

There are two types available:

Type 8120 is an A.C. operated testbox for 110/220 Volts - 50/60 Cycles, with analogue indicator.

Type 8160 is an A.C. operated testbox for 110/220 Volts - 50/60 Cycles, with digital indicator.



010 - 16 90 11 *

SBE-8100

TYPE 8121 = 8120
WITH 15 MM LED DISPLAY

0.183 mA/mV SOURCE

SPECIFICATIONS TYPE 8120

Power supply	: 110/220 Volts AC - 50/60 Cycles
Output	: mA. 0-30 mA with max. ext. load of 0-1200 Ohms 0-60 mA with max. ext. load of 0- 600 Ohms mV. 0-30 mV { with min. ext. load of 0-60 mV { 100 Ohms V. 0-36 Volts with no load Ohms 0-1000 Ohms in steps of 100 Ohms and continuously 0,1 to 100 Ohms accuracy is within 0,5%
Input	: mA. 0-30 mA and 0-60 mA input- resistance: 1 Ohm
Indicator	: analogue - 240° deflection - 100 mm scale length calibrated in 0-30 mA/mV and 0-60 mA/mV
Ambient temperature:	-20 to 50° C
Case dimensions	: width 210 mm, height 150 mm, depth 140 mm
Remarks	: - All the outputs are adjustable by means of 10-turns potentiometers

SPECIFICATION TYPE 8160

Power Supply	: 110/220 Volts AC. 50/60 Cycles
Output	: mA. 0-30 mA with max. ext. load of 0-1200 Ohms 0-60 mA with max. ext load of 0- 600 Ohms mV. 0-30 V { with min. ext. load of 0-60 mV { 100 Ohms V. 0-36 Volts with no load Ohms 0-1000 Ohms in steps of 100 Ohms and continuously 0,1 to 100 Ohms accuracy is within 0,5%
Input	: mA. 0-199 mA mV. 0-199 mV V. 0-199 V
Indicator	: digital 7 segments Sperry plasma display
Ambient temperature:	-20 to 50° C
Case dimensions	: width 255 mm, height 155 mm, depth 185 mm
Remarks	: - All the outputs are adjustable by means of 10-turns potentiometers - Connectors suitable for wire connection or plug connection