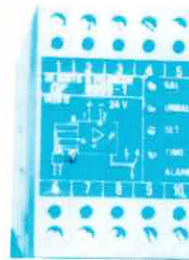
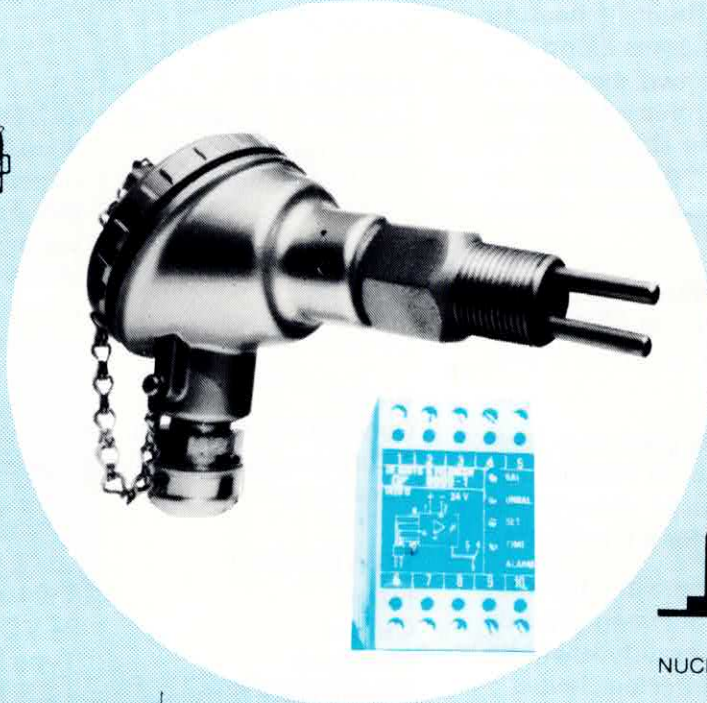
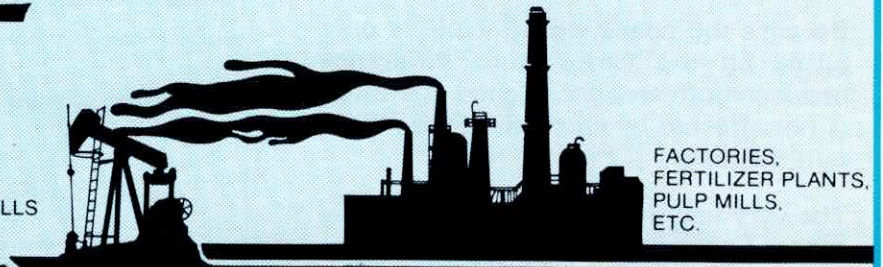
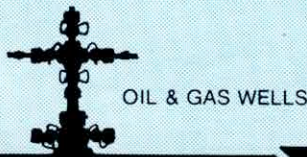
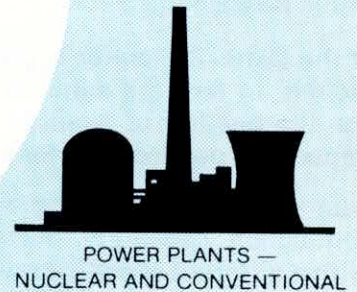
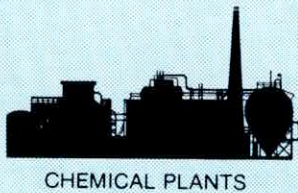
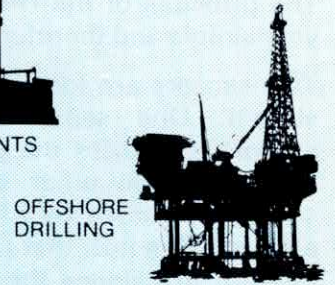
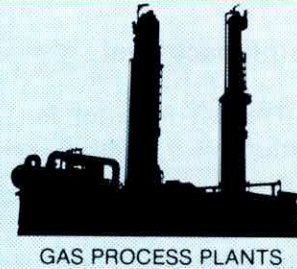
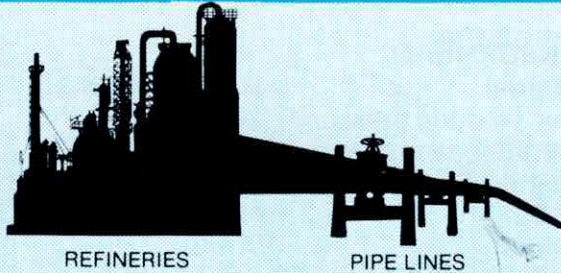


DELTA-T-MONITOR

**FLOW- & LEVELSWITCHES FOR:
Liquids - Gases - Slurries - Granulated Solids**



GF

DE GIDTS & FELDMAN

TECHNISCH EN COMMERCIËEL BUREAU B.V.

P.O.Box 50041
Tel.03240-14014

1305 AA ALMERE
HOLLAND

where to buy

DELTA-T-MONITOR

How the DELTA-T-MONITOR operates

Flow - Level - Interface level

The principle of the Delta-T-Monitor is very simple and therefore very reliable.

Two sensors are located in the process stream. One sensor (the reference sensor) references the product temperature and the other one (the active sensor) is heated by a built-in heating element. The flow that passes along will attempt to balance the two sensors in temperature. The electronic connection will see to it that by the change of the heater voltage the difference in temperature is kept constant (about 10° C).

This change of the heater voltage is analog to the change in flow and activates the end-relay when a preset value is reached.

If the Delta-T-Monitor is used as a level switch, in fact the same is happening: for the heating of a «dry» sensor less capacity is needed than for a «wet» one.

Due to the difference in thermal conduction capability between liquids with a different specific gravity it will be even possible to detect interface levels.

Because the operating principle is only based on the temperature **difference** between both sensors, a good operation is not affected by changes in the media temperatures.

The very low use of energy results in a sensor temperature that is only slightly higher than the media temperature (max. 10° C)

Furthermore the unit is therefore suitable for use in explosion hazardous locations; by means of intrinsically safe connections. Certificate of Approval according to CENELEC is available. Code: EEx ia IIA T4.

GENERAL SPECIFICATION

SENSORHEAD

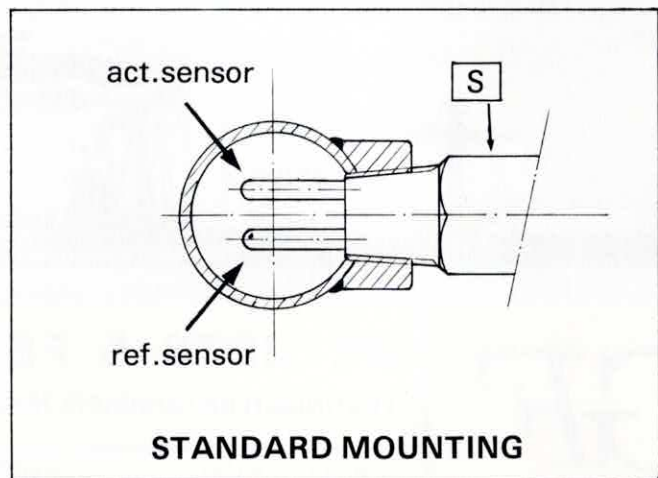
Material : stainless steel 316
Max. working pressure : 200 Bars
Operating temperature : -60°C to + 150°C
Mounting : screwed into port of ¼" NPT
Housing : aluminum, IP65/NEMA4.
Weight : 0,7 kg
Sanitary connection, flange-mounting, probe extension, higher pressures etc. on demand.

AMPLIFIER

Operating Power : 24 VDC
Power consumption : 80 mA (abt. 2 VA)
Setpoint Range : depending on media and mounting: for example for water 0,003 to 0,6 m/sec.
Setpoints : standard 1
2 or more on demand.
Contact rating : potential-free, SPDT; 250 VAC, 6 Amp.
Weight : 0,2 kg
Connection to Sensor by means of a 4-core protected multi cable of max. 200 mtrs. length.

POWER UNIT

Input : 110 VAC/220 VAC.
Output : 24 VDC
Standard : Type M
Intrinsically safe : Type DTM-VEX

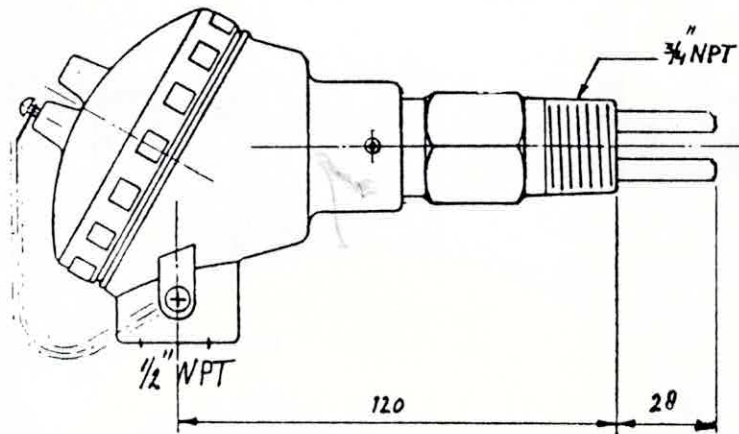


DELTA-T-MONITOR

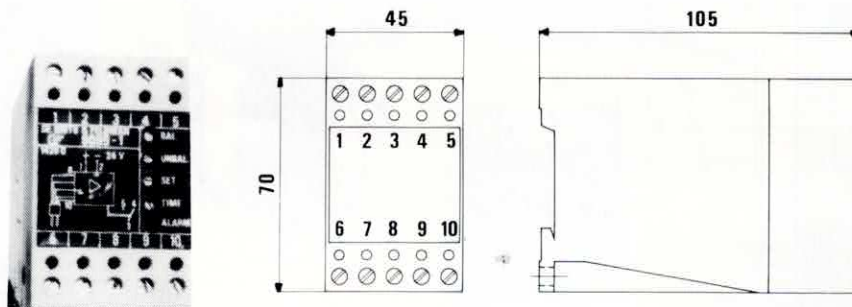
WITH REMOTE AMPLIFIER

TYPE DTM-M

SENSORHEAD



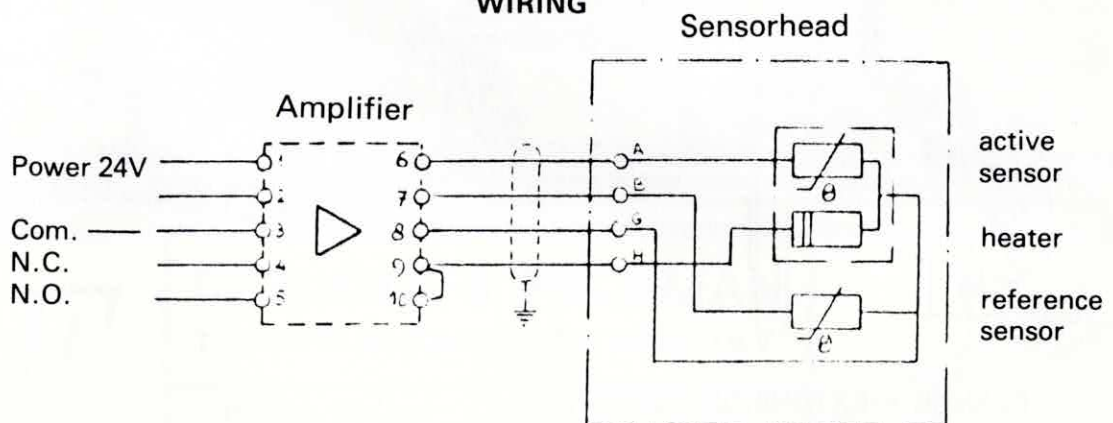
AMPLIFIER



dimensions in mm.

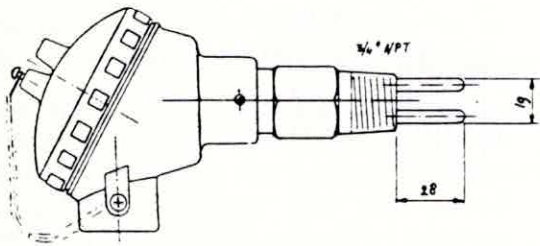
The modules are to be placed on a standard 35 x 7,3 mm DIN 46277 rail or are screw mounted.

WIRING

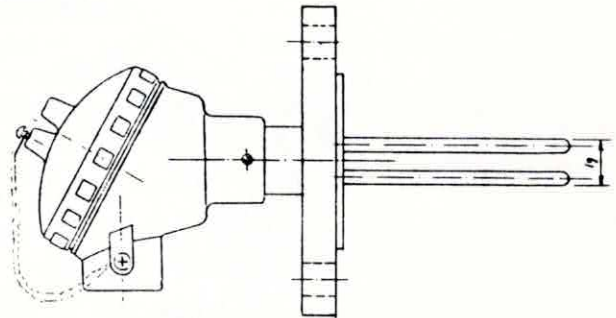


DELTA-T-MONITOR

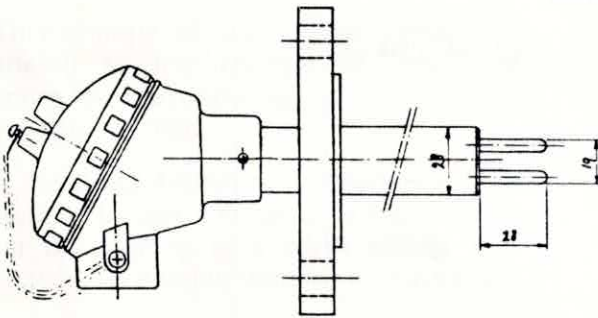
OPTIONAL MOUNTINGS



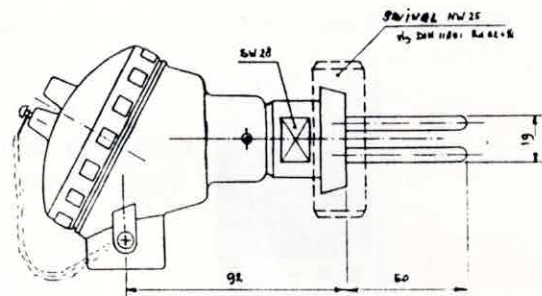
STANDARD



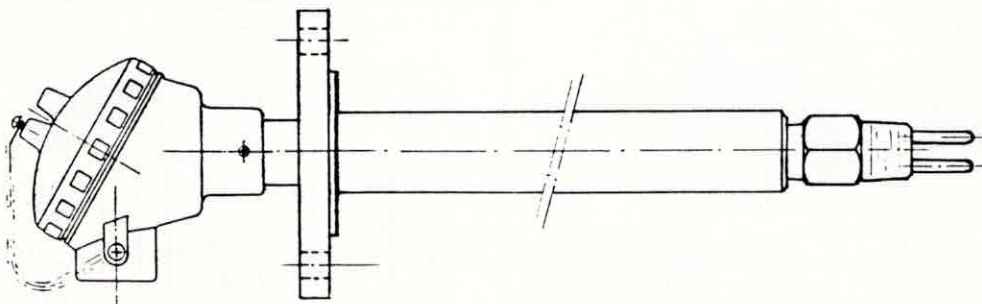
FLANGE + EXTENSION <150 mm



FLANGE + EXTENSION >150 mm



SANITARY CONNECTION



FLANGE + EXTENSION >300 mm