

# Focus on Manotherm Rotterdam

An organization able to handle the job-quickly, efficiently, anytime, anywhere.





## **FOCUS ON MANOTHERM ROTTERDAM**



MANOTHERM B.V., founded in 1955, is a company specialising in control and instrumentation.

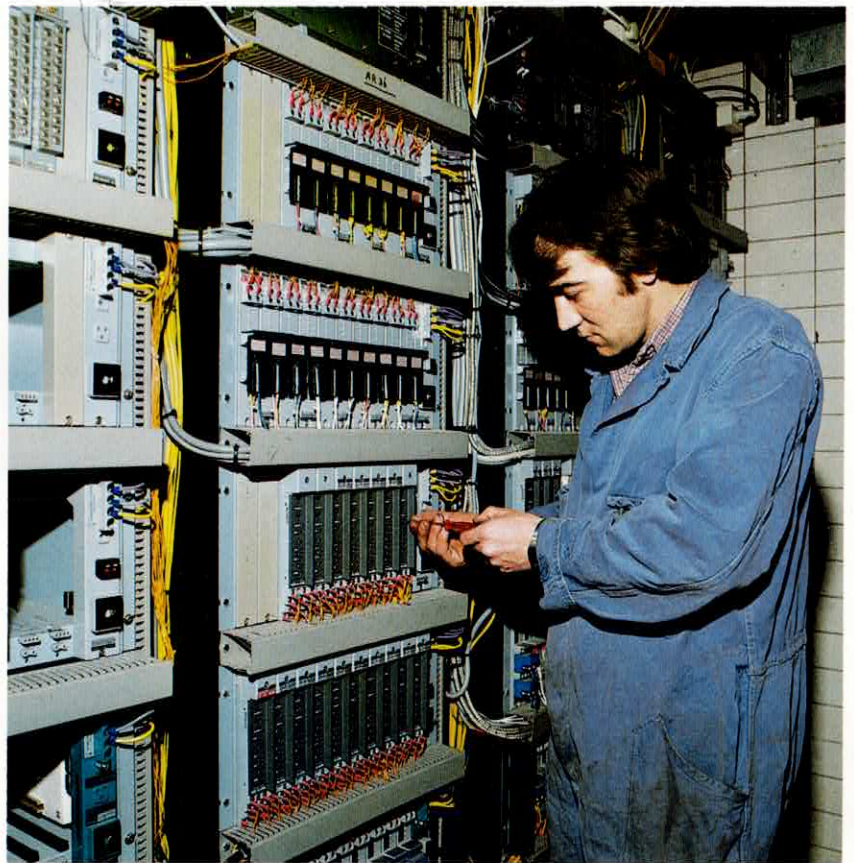
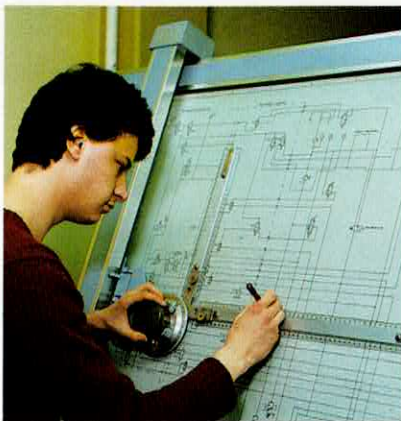
With our vast experience and many factory trained engineers we offer our clients:

- System designers -
- Specialists in the application, maintenance and repair of instrumentation -
- Instrument suppliers - pneumatic, electric, hydraulic or electronic -
- An organization able to handle the job - quickly and efficiently, anytime, anywhere.



## ENGINEERING

MANOTHERM has factory trained engineers for the design and application of control and instrumentation systems - pneumatic, electronic and hydraulic - including alarm and annunciation, monitoring and burner management systems. "Tailor-made" systems are designed and manufactured to meet YOUR needs.



## SERVICE

MANOTHERM emphasizes SERVICE as a prime factor to consider when you think of instruments and control systems.

Our Service department has a skilled team of service engineers available to be on the spot, whenever and wherever needed.

This can be close to our door in the Botlek area on a Petrochemical plant or

Refinery or in Europoort, the world's largest port, or anywhere in Europe, the Middle East, the Far East, Africa, in other words: **AROUND THE WORLD, AND AROUND THE CLOCK.**

These engineers are specialized in instrumentation but have also a good general knowledge of all the engineroom machinery that might influence the instrumentation.



MANOTHERM's Service department is an excellent investment because MANOTHERM Service professionals are trained to help YOU to get the best performance from your process control systems.

MANOTHERM's established policy is that a service workshop facility is essential. Your valuable instruments need repair due to age, accidents or neglect.



A modern workshop with all facilities and test equipment, together with skilled instrument engineers is at your disposal.





## SUPPLIES

MANOTHERM design and manufacture a wide range of analogue and digital electronic instrumentation, incorporating the latest techniques and the highest quality components, for pressure, temperature and level applications.

From a large number of manufacturers with a worldwide reputation, MANOTHERM has exclusive sales rights for numerous products, including orthodox and special purpose process

- control valves
- self operated valves
- transmitters
- liquid level gauges,
- pneumatic- and float tank contents gauges
- desuperheating and pressure reducing equipment
- instruments for the process industry
- pressure gauges
- bimetal thermometers
- glass thermometers

and also:  
manoeuvring and positioning systems and ships' loading computers.

You will understand that it is not possible to name every product here - when you are in doubt whether Manotherm can supply a specific instrument, please ask.

The ability to provide a fast response is often critical when loss of production or downtime, due to a faulty instrument, must be minimised. A large inventory of spare parts in stock at our warehouse is an additional guarantee that MANOTHERM can help you.

## PRODUCTS AND SYSTEMS MANUFACTURED OR REPRESENTED BY MANOTHERM B.V.

Burner Management Control  
Automatic Combustion Control  
Main Engine Remote Control  
Tank Liquid Level Gauging  
Desuperheaters  
Feedwater Regulators  
Salinometers  
Instruments for the Process Industry  
Bilge- and Ballast Monitors  
Control Valves - Pilots  
Manoeuvring and Positioning Systems  
Ships Loading Computers  
Pressure and Temperature Instruments  
Hydraulic Systems for Cargo and Ballast  
O<sub>2</sub> Analyzers  
Electronic Instruments for Pressure, Level and Temperature  
Liquid Level Gauges and Valves

## MANOTHERM INDUSTRIAL B.V.

was established in 1969 and is a wholly owned subsidiary of MANOTHERM

In the industrial estate of Vlaardingen, close to Rotterdam and surrounded by major industries and the largest ports and shipyards, MANOTHERM INDUSTRIAL has a modern and well equipped workshop for the repair and overhaul of hand operated valves, automatic valves, safety valves and level gauges.

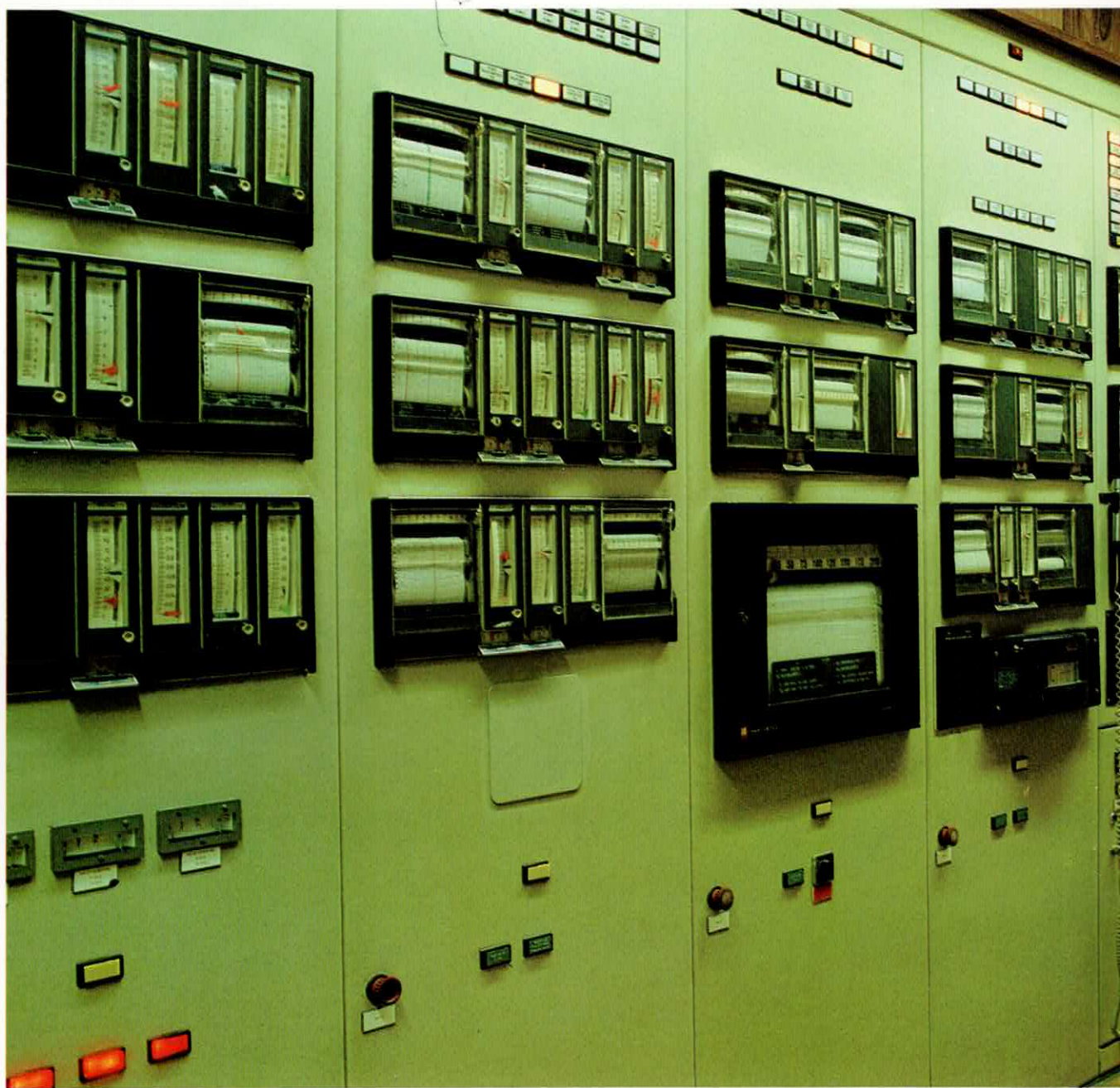
Outside our workshop you will meet our skilled labour on Refineries, Petrochemical plants, chemical plants, power plants and also on board vessels during construction and on gas and oil platforms, Offshore.

We carry out on a regular basis: maintenance, service and extensions during plant shutdowns. Moreover we install:

- complete instrumentation projects -
- hydraulic systems -
- analyzer equipment and shelters -
- steam tracing systems -









Planning and organization of projects is controlled by our fully trained experienced staff.

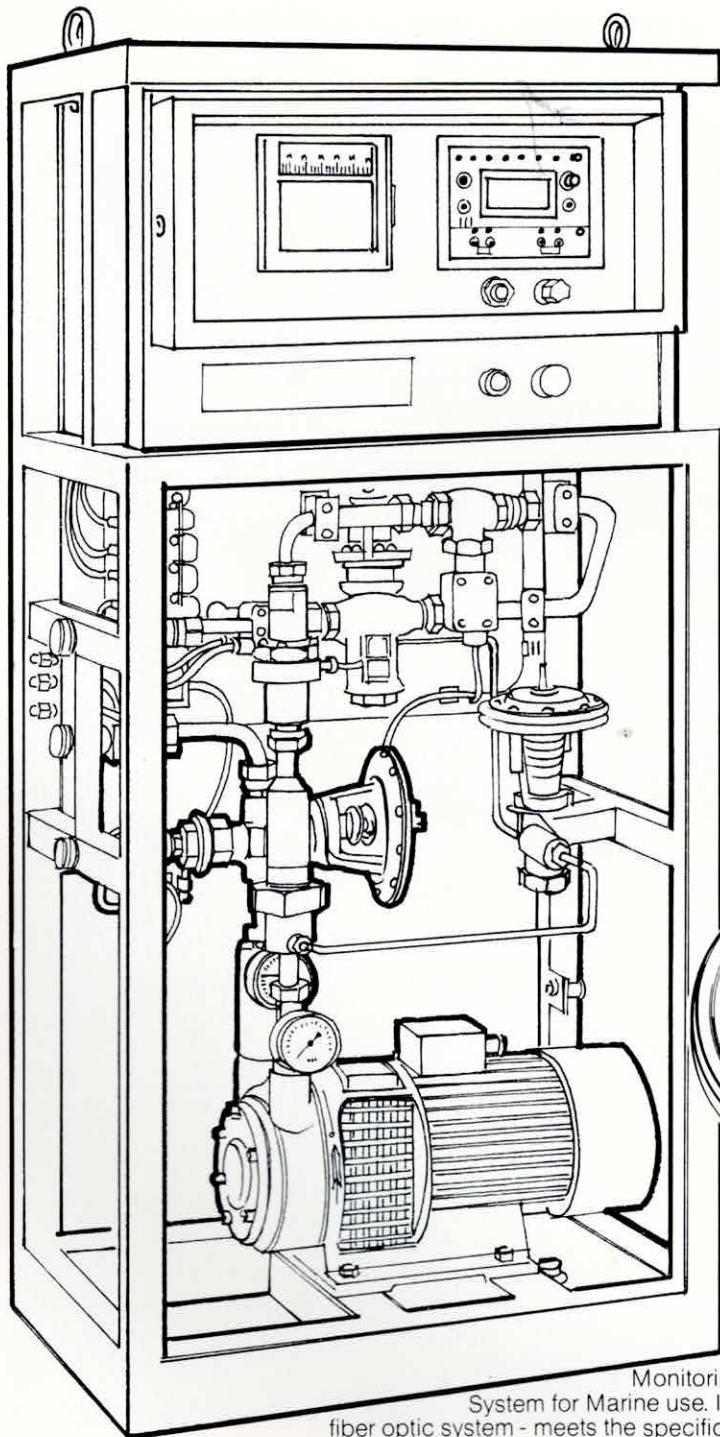
Daily activity includes progress monitoring, cost control and quality assurance of the work.

Our flexible organization makes it possible to absorb unexpected changes within the agreed project timescale.

Frequently we carry out jobs on various locations - mobile offices, workshops and testcars are at our disposal.

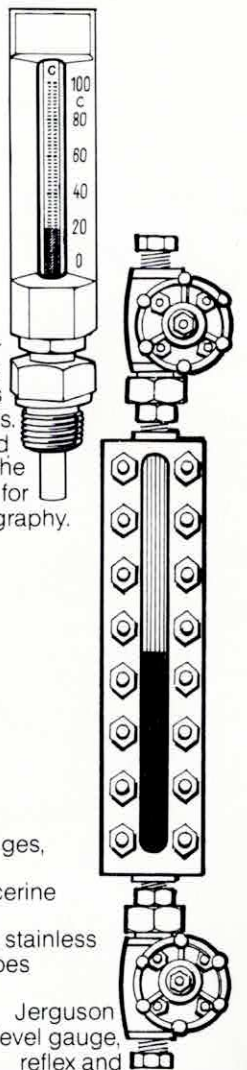






Oil Discharge Monitoring and Control System for Marine use. Infra-red with fiber optic system - meets the specifications of IMCO A393(x).

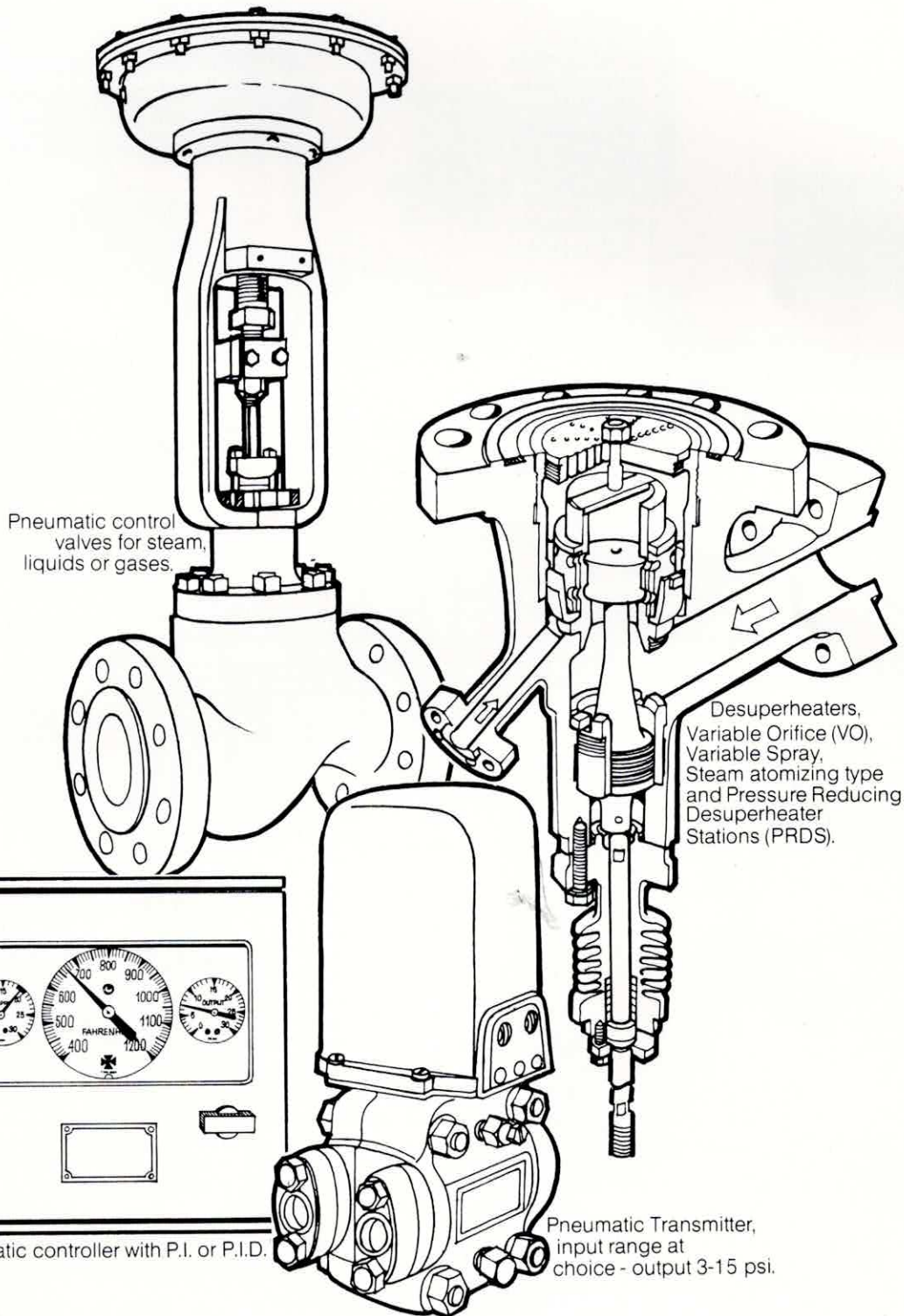
Mercury- or spirit filled glass thermometers for all purposes. Also: ASTM and IP thermometers for the Oil Industry. Thermometers for Meteorology and Oceanography.



Pressure gauges, all sizes and connections, glycerine filled, if any. Housing: steel or stainless steel, bourdontubes in all materials.

Jerguson liquid level gauge, reflex and transparent type with valves.





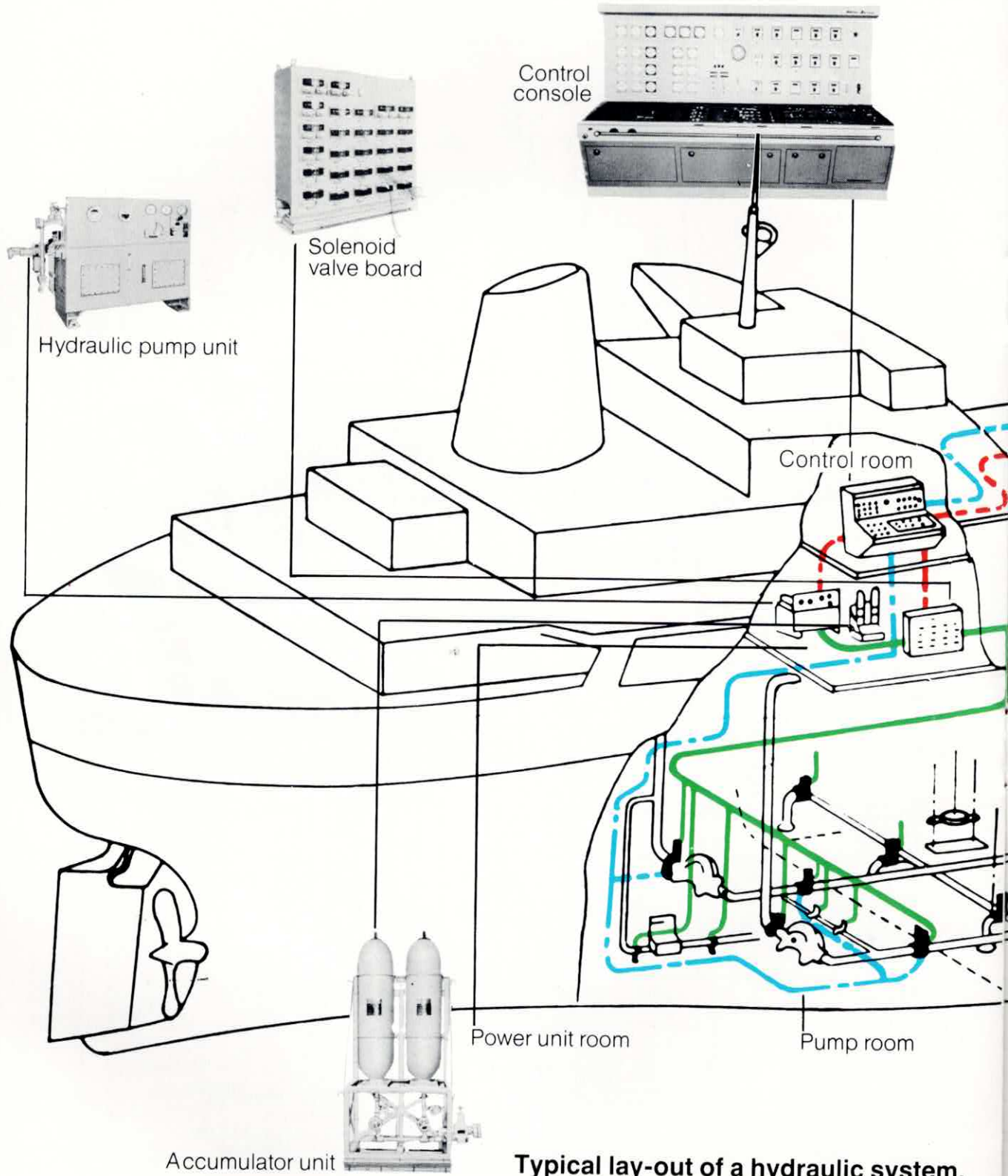
Pneumatic control valves for steam, liquids or gases.

Desuperheaters, Variable Orifice (VO), Variable Spray, Steam atomizing type and Pressure Reducing Desuperheater Stations (PRDS).

Pneumatic controller with P.I. or P.I.D. mode.

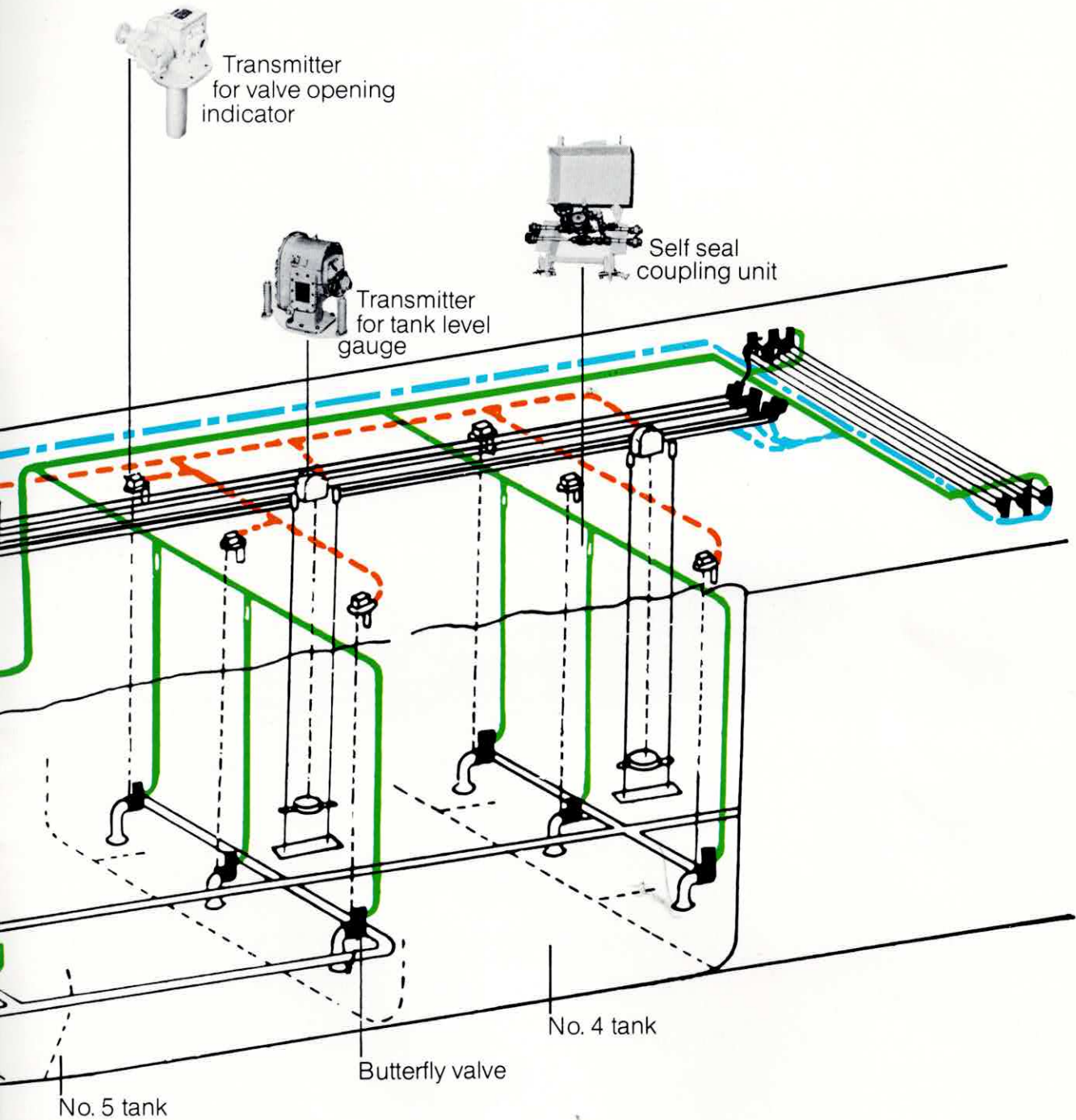
Pneumatic Transmitter, input range at choice - output 3-15 psi.






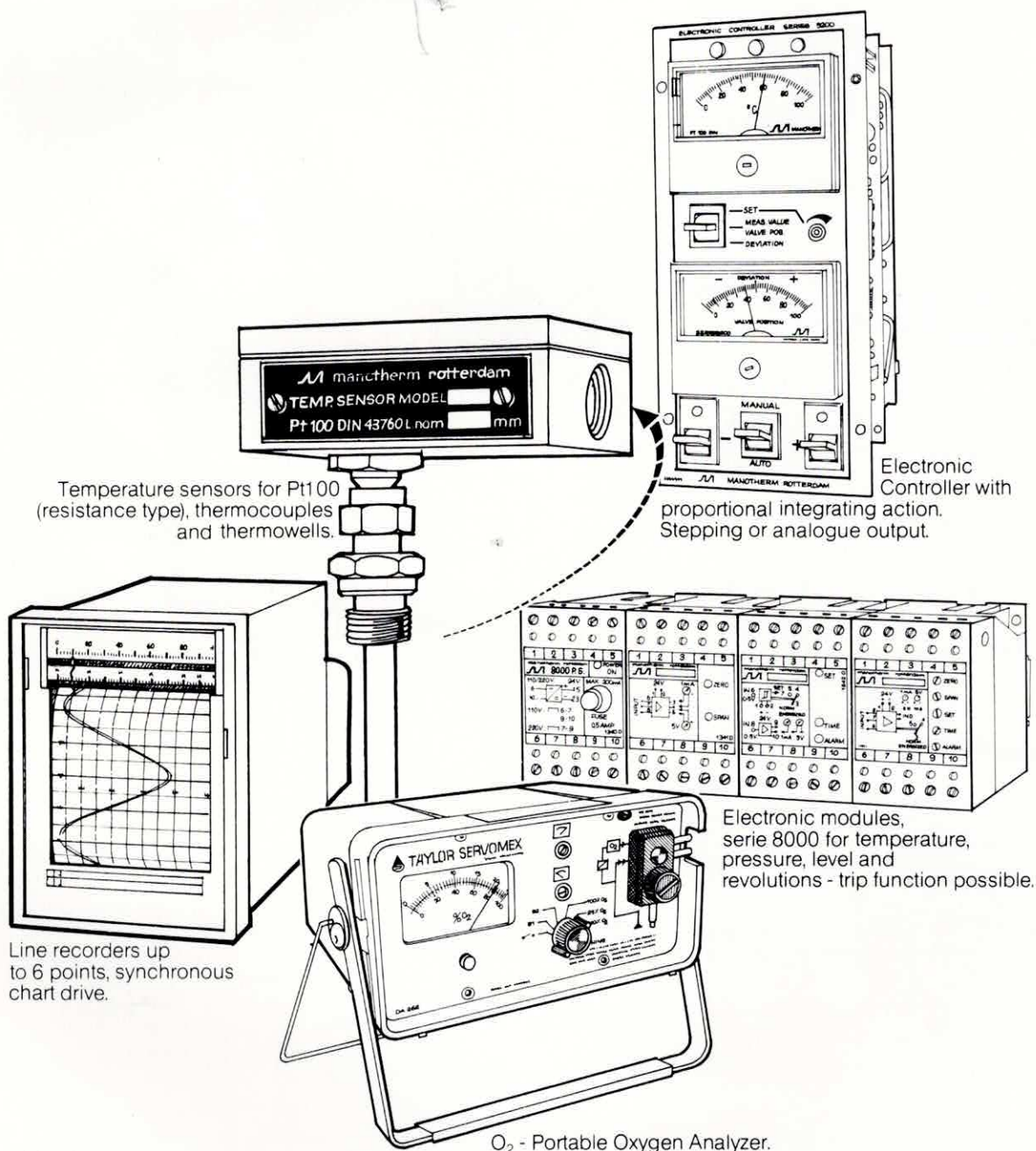


Typical lay-out of a hydraulic system.





-  Hydraulic Line
-  Pneumatic Line
-  Electric Line



Temperature sensors for Pt100 (resistance type), thermocouples and thermowells.

Electronic Controller with proportional integrating action. Stepping or analogue output.

Line recorders up to 6 points, synchronous chart drive.

Electronic modules, serie 8000 for temperature, pressure, level and revolutions - trip function possible.

O<sub>2</sub> - Portable Oxygen Analyzer.



## **Exclusive agents for:**

Capper Neill Controls Ltd.	England	Tank liquid level gauging and supervisory control
Copes Vulcan Ltd.	England	Desuperheaters, Jerguson Level Gauges Feedwater regulators, soot-blowers, desuperheaters
Dansk Radio	Denmark	Elektromekano Salinometers
Debro	Germany	Instruments for the process industry
Int. Marine Radio Comp.	England	Oilcon bilge and ballast monitors
Leslie Co.	USA	Pneumatic control equipment
Omnithruster	USA	Manoeuvring and control systems
Ludwig Schneider	Germany	Thermometers
Spernagel	Germany	Universal Transportable boring gear
Texcel	England	Ships loading computers
Weksler	USA	Pressure gauges and bimetal thermometers

## **After sales service for:**

General Regulator Corp.	USA	Combustion control
Kaps-Kawasaki	Japan	Combustion control
Nakakita	Japan	Hydraulic systems for cargo and ballast Pneumatic systems for tank level gauges
Taylor Servomex	England	O-2 Analyzers
Volcano	Japan	Burner equipment and incinerators

## **■ For the equipment that we supply we normally provide for:**

Field Erection  
Start-up Supervision  
Continuous Servicing and maintenance  
Local Stock of Replacement Units  
Local Stock of Spare Parts

## **■ Trade and business References:**

Referencelist available.

- Companies to whom we supplied major materials or equipment during the past five years - Ask our reference list.



# **manotherm**

## **manotherm bv**

**workshop** welplaathoek 20, 3197 KP botlek rt  
**and offices:** p.o. box 1218, 3000 BE rotterdam

**phone:** 010 - 16 90 11 \*

**telex:** 28604 termo nl

## **manotherm-industrial bv**

**workshop** ampèrestraat 8-10, 3133 KD vlaardingen  
**and offices:** p.o. box 2754, 3000 CT rotterdam

**phone:** 010 - 35 19 44

**telex:** 28604 termo nl